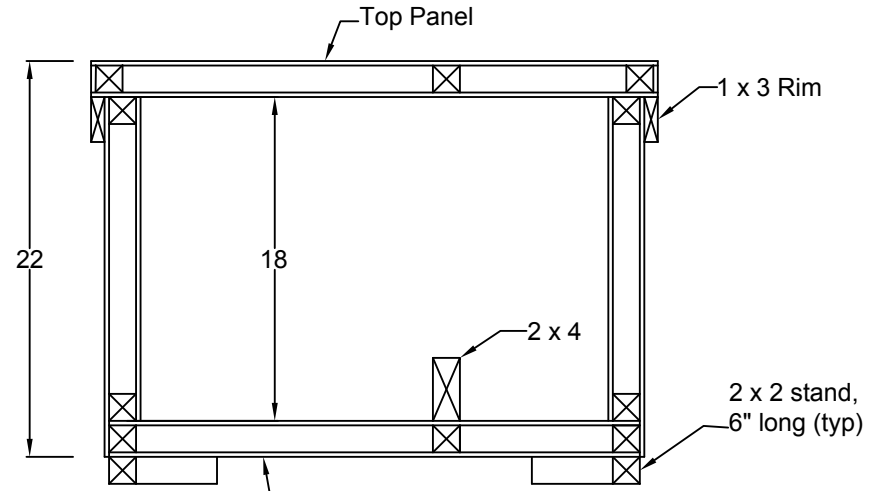
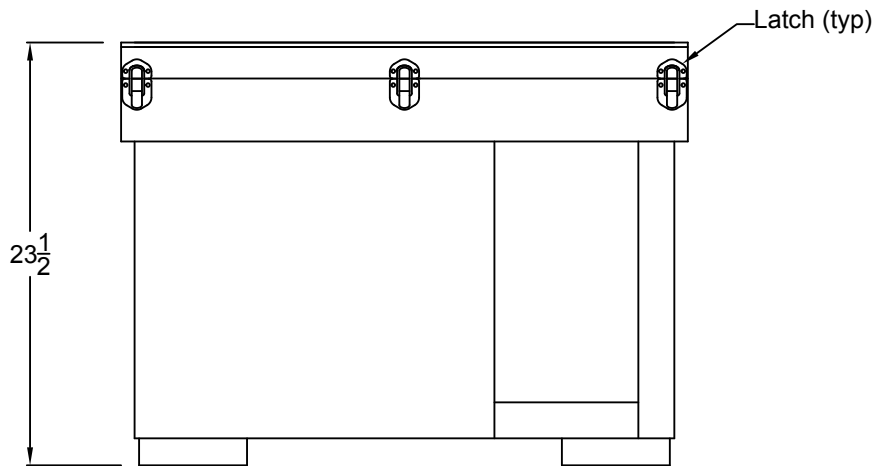


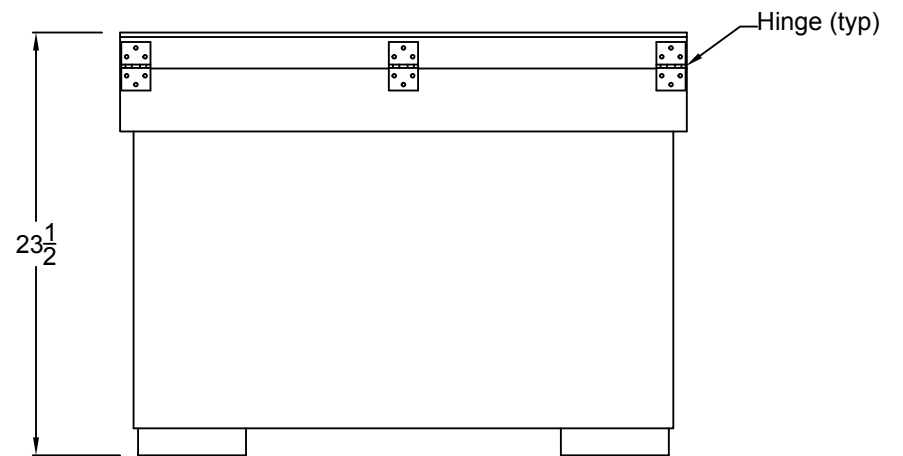
Top Panel



Bottom Panel Section B-B



Front Elevation



Rear Elevation